

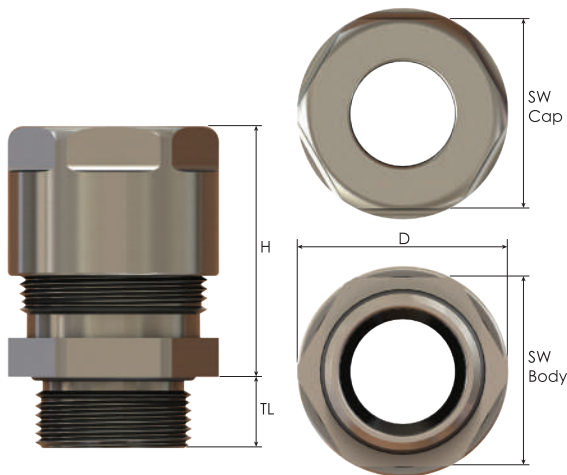


Cable glands for high quality sealing and strain relief

- For metal machines and housings.
- For demands of high quality sealing and strain relief.
- Single seal for full clamping range.
- For standard industrial applications in harsh environments.
- Easy assembly: install cable gland - insert cable - tighten cap.
- Reliable performance for standard industrial applications.

Technical Details

Material	Body, Cap	Brass, Brass Nickel plated, Brass Black Chrome Plated
	Seal	CR (Chloroprene)
	O-ring	NBR
Ingress Protection Rating	IP 68 - 5 Bar, 30 min	
Flammability	V2 according to UL94	
Operating Temperature	Permanent	
	-40 °C to +100 °C	
Thread Type	<ul style="list-style-type: none"> • Metric EN 60423 • Other thread types also available upon request. 	
Cable Type	Non armoured	
Accessories	<ul style="list-style-type: none"> • Lock nuts • Dome plugs • Gaskets (Washers) 	
	<ul style="list-style-type: none"> • Manufactured according to DIN EN 62444/50262. • We recommend the use of lock nuts and gaskets to ensure IP rating for rough surfaces or through holes. • O-ring available in Metric threads. • Accessories must be ordered separately. 	
Remarks		



Thread Type **METRIC** acc. to EN 60423

Outer Thread Size (Male)	Clamping Range Ø min-max mm	Outer Thread Length TL mm	Spanner Width		Outer Ø D mm	max. Height H mm	Part Number		Minimum Order Quantity
			SW Cap mm	SW Body mm			Brass Nickel plated	Brass Black Chromate	
M16x1,5	4,0 - 11,0	8,0	21	21	23,3	31,5	BMNGB-01	BMNGC-01	300
M20x1,5	5,0 - 13,0	9,0	24	24	26,8	34,0	BMNGB-02	BMNGC-02	300
	6,5 - 15,5	10,0	28	28	30,8	38,0	BMNGB-03S	BMNGC-03S	200
M25x1,5	10,0 - 20,0	10,0	30	30	33,5	46,5	BMNGB-03L	BMNGC-03L	200